



**UNITED
SECURITY
PRODUCTS, Inc.**



Proudly made in U.S.A.

PRODUCT SPECIFICATION SHEET

HUB™
BRAND HOLD UP BUTTONS

HOLD UP BUTTONS

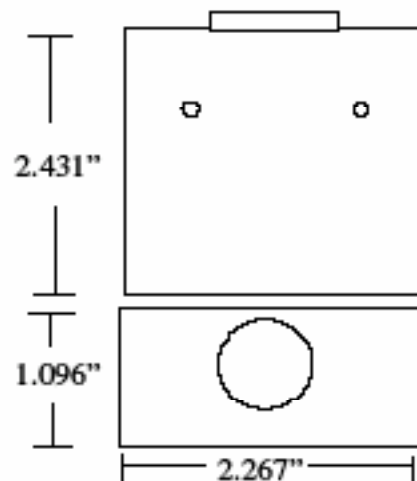
HUB2 Series



Give your customers the industry standard in high quality Hold-Up Buttons. The switch inside the case is manufactured with gold, silver and copper. We require the highest standard of components and take the extra time to hand-assemble the units in the USA to assure reliability.

- Gold & Silver Crosspoint Contacts
- Brass Terminals
- Stainless Steel Spring
- Thermoplastic Case and Button
- Copper Alloy Blades

Model	Switch	Operation	Terminals
HUB2	DPDT	Latching	6 Solder
HUB2A	DPDT	Latching	3 Solder/3 Screw
HUB2B	DPDT	Latching	6 Screw
HUB2C	SPDT	Momentary	3 Solder
HUB2CA	SPDT	Momentary	3 Screw
High RT	Mount Tool for Latching Hold Up Buttons		



United Security Products • 13250 Gregg St., Ste. B • Poway, CA 92064

www.unitedsecurity.com